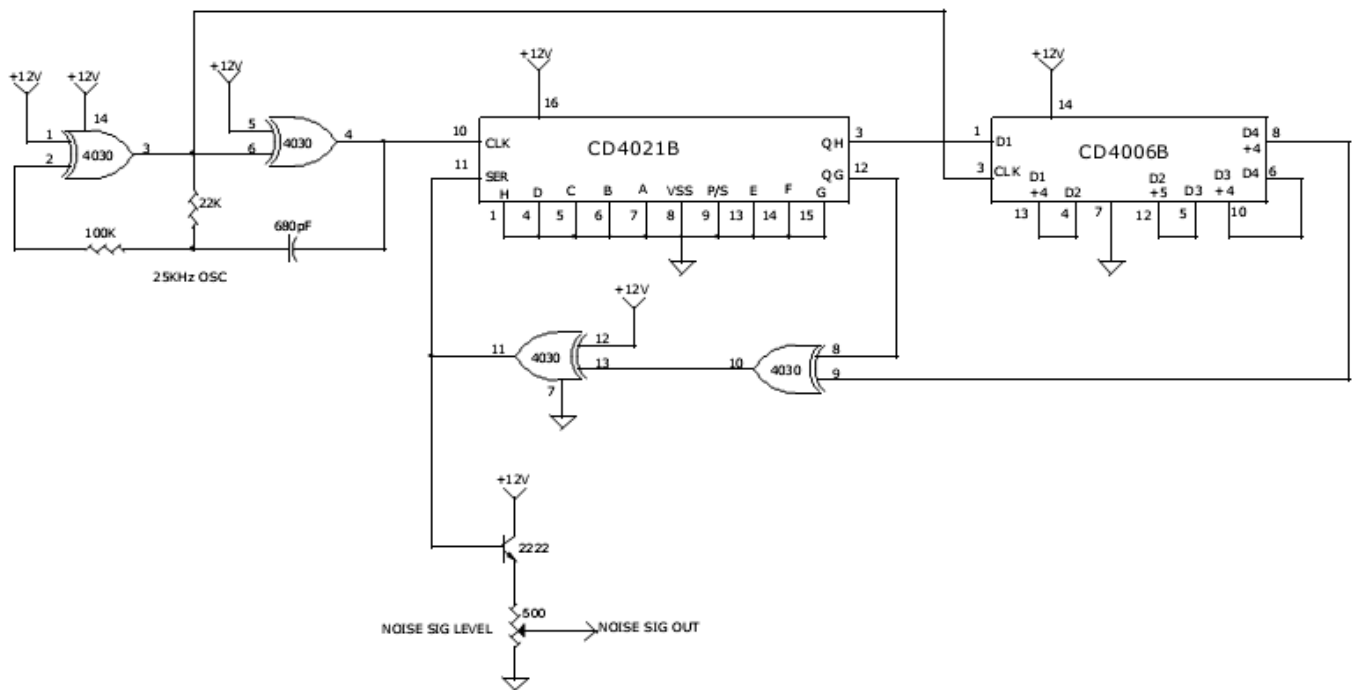


AUDIO FREQUENCY DIGITAL NOISE GENERATOR



When you need to test an audio circuit with broadband noise, this circuit works great. It uses just three inexpensive C-MOS ICs that generate a series of output pulses whose widths vary randomly. I included a level control pot.

Peter: This will be one of my next projects. Sounds interesting for Lunettas. Let's see what happens if you put bodycontacts to the open inputs.