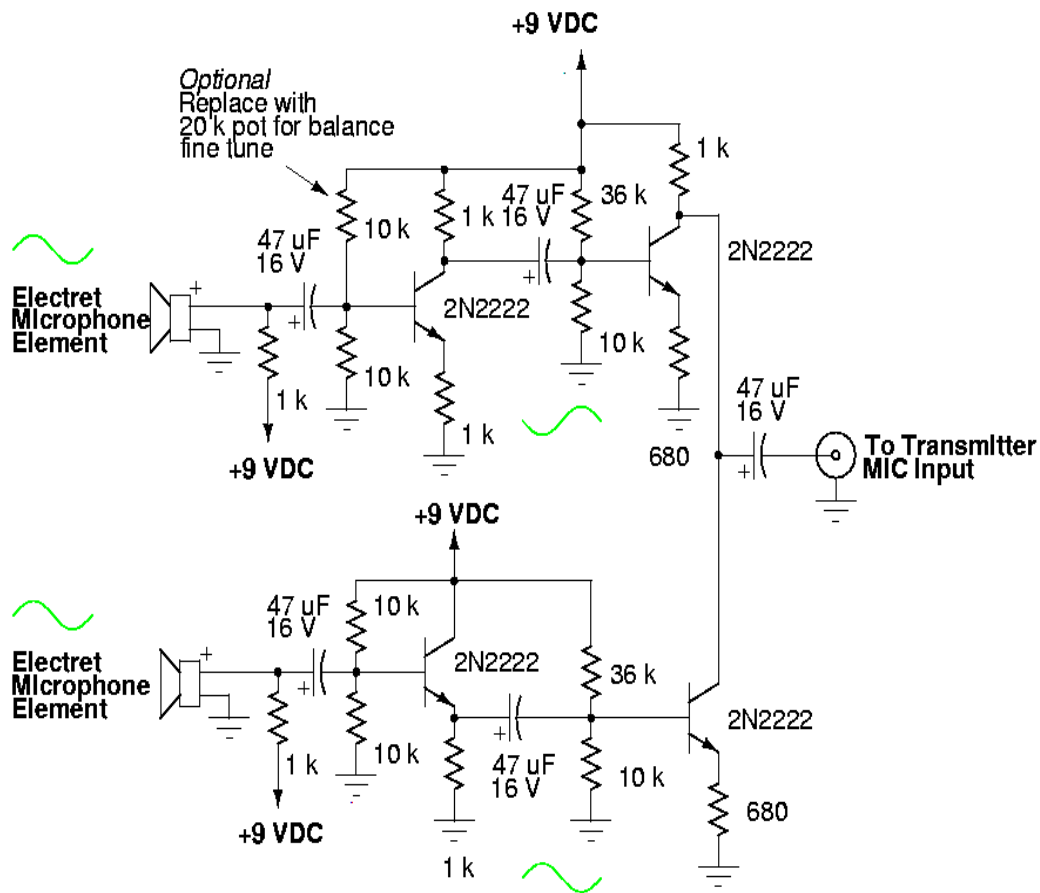


# Noise Canceling with Electret Condenser Microphone

by Klaus Spies, WB9YBM & Rolf Spies, N9BRL  
See December 2000 QST, pp 38-39 for more information



All resistors 1% metal-film