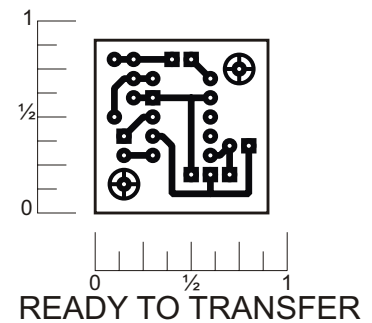
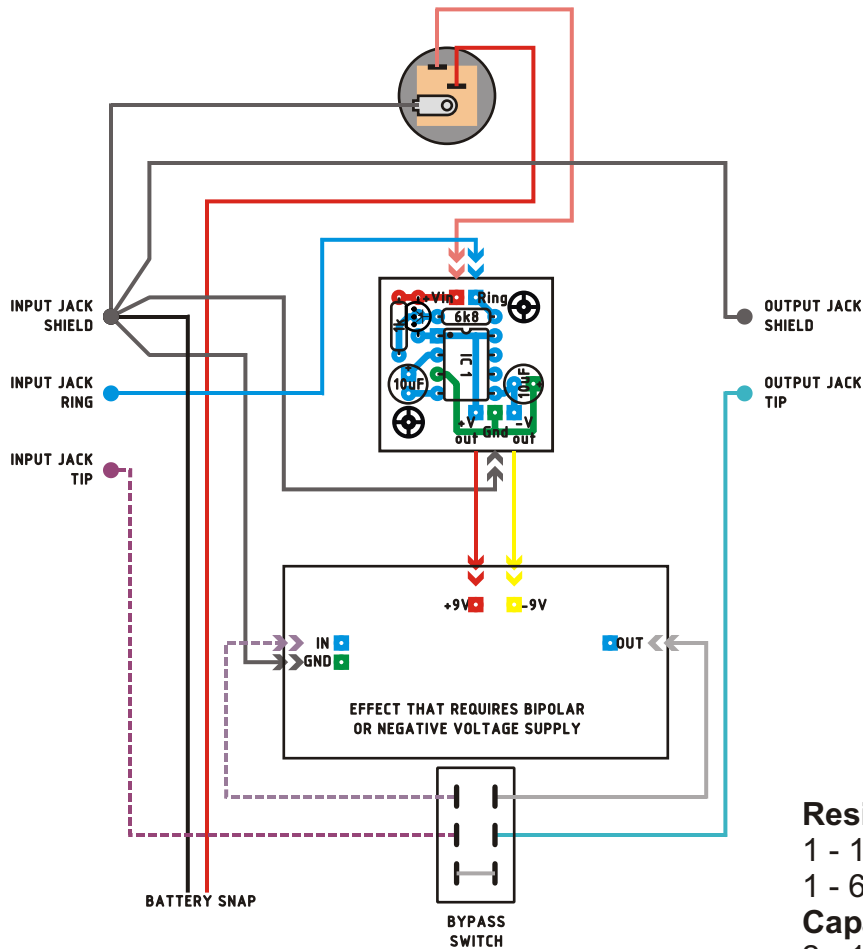


# BIPOLAR POWER

Rev.1.Nov.4.2007

Some effect circuits need positive and negative voltages to operate, this would normally require two batteries. This project uses a MAX1044 IC, capable of creating a negative voltage from a positive only voltage supply, eliminating the need for an extra battery. Input jack switches power to the circuit by integrating RG Keen's input jack switching circuit found at [www.geofex.com](http://www.geofex.com). Another possible application for this circuit is to power positive ground circuits like fuzzes, in this case the positive output is ignored and only the negative voltage output is used to power the fuzz circuit. Bypass wiring used is the more standard dpdt type, shown to illustrate how to wire a bypass to this circuit, other bypass wiring schemes can also be used. Visit [www.tonepad.com](http://www.tonepad.com) for more!



## Parts List

- |                   |                   |
|-------------------|-------------------|
| <b>Resistors</b>  | <b>ICs</b>        |
| 1 - 1k            | 1 - MAX1044       |
| 1 - 6k8 (6.8k)    |                   |
| <b>Capacitors</b> | <b>Transistor</b> |
| 2 - 10 $\mu$ F    | 1 - 2n5087        |

Layout and presentation by Francisco Peña 2001-2006©.  
 All rights reserved. Authorization for personal use only.  
 any commercial use is forbidden.  
 Permission for posting/serving limited to  
<http://www.tonepad.com>  
 Permission refused for posting from other sites.

