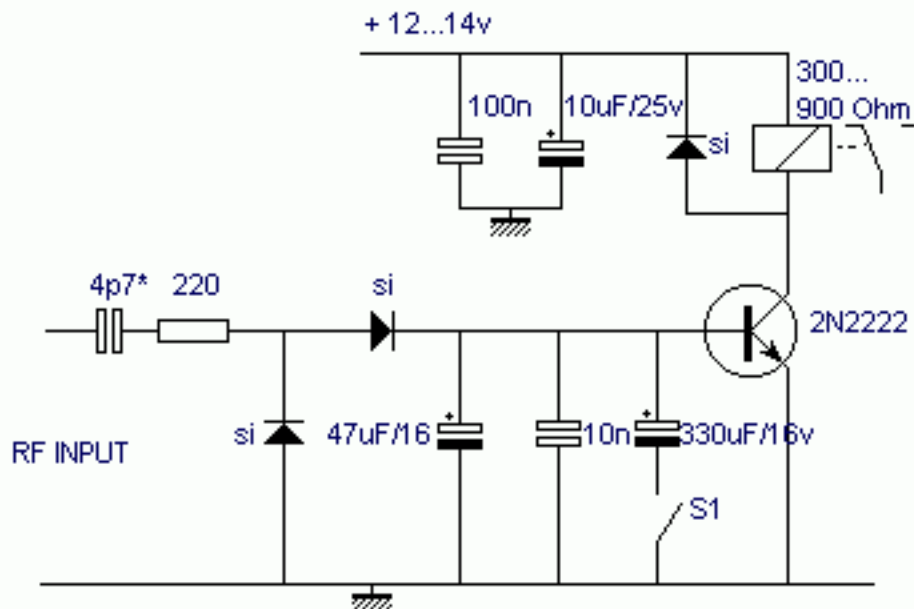


RF Switch



This RF-switch will work from almost any RF-frequency and from 0.1w up to 100w. It can be used to switch on/off pre-amps or amplifiers, or anything else you want to switch on or off when starting to transmit. The schematic as displayed will work just fine between 50Mc...440Mc. It can be improved (peaked) if you should use it for one band only, say for example the 2 meter band. or for a high or very low used TX power outputs.

* To use the RF-switch for frequencies below 50Mc then you should use a higher value capacitor. For HF use a capacitor of around 27pF...47pF. If you use the RF-switch at high RF-power you should increase the value of the 220 Ohm resistor. Try a 1...22k resistor.