

Microwave & RF filters

Filters, bandpass, ceramic, LC
Crystal, cavity, duplexers
www.anatechelectronics.com

DROs - 1 to 44 GHz

Dielectric Resonator Oscillators.
Commercial, Military, Space.
www.lucix.com

SAW Filter Mfg.

Supplier of IF and RF bar
SAW filters and resonators
www.amplitronix.com

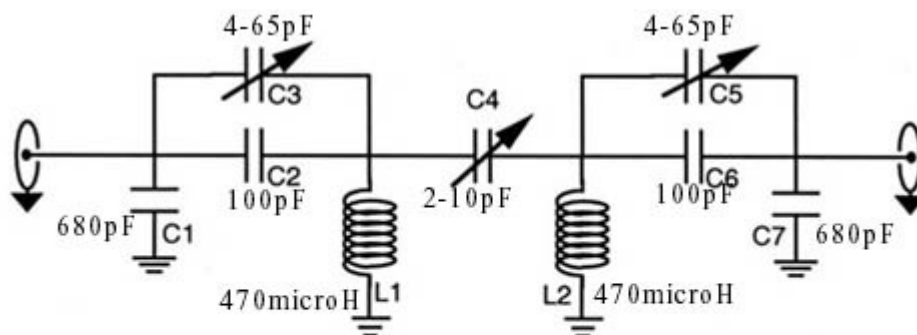
Receiver for Jupiter

[Home](#) [Dual Dipole Array](#) [RFI Survey](#) [Guru Receiver](#) [Softwares](#) [Links](#)

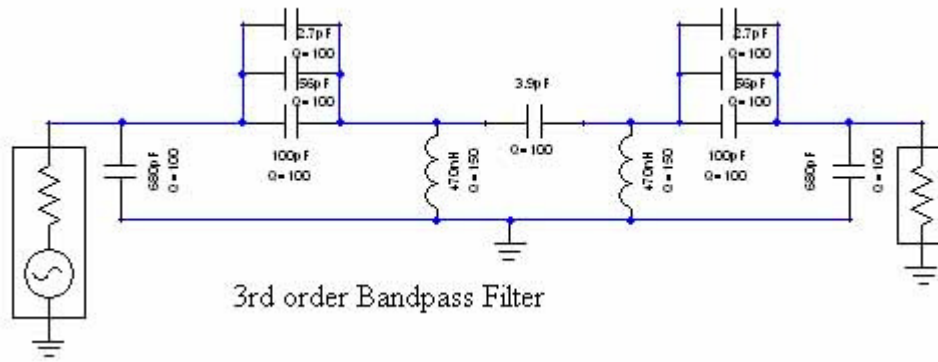
RF Amp	Narrow Band Pass Filter	Mixer	Low Pass Filter	Audio Preamp	Audio Power Amp
------------------------	---	-----------------------	---------------------------------	------------------------------	---------------------------------

3rd Order Coupled Resonator Filter

One can also use the 3rd order filter as given in this section. This is relatively simpler but requires tuning. This design is by Richard Flagg.

**COUPLED RESONATOR BANDPASS FILTER**

Tuning of this filter to 20.1 MHz can be also achieved by use of fixed components as shown in following figure: -



The above filter is simulated in Ansoft (Tool for Microwave & RF engineering).

[View simulated response](#)

[Receiver Considerations for Jupiter](#)

[Block Diagram of Receiver](#)

[Block Diagram with Specifications](#)

[Receiver Photos](#)

Search: The Web Tripod [Mobile Games](#) [Share This Page](#) [Report Abuse](#) [Build a Site](#) [Browse Sites](#)

[Go Get It!](#) [« Previous](#) | [Top 100](#) | [Next »](#)

Mit Taschengeld traden ist ein Kinderspiel
Devisenhandel ist riskant!

Wir schenken Ihnen **150.-CHF** Startkapital.

EASY
Making foreign