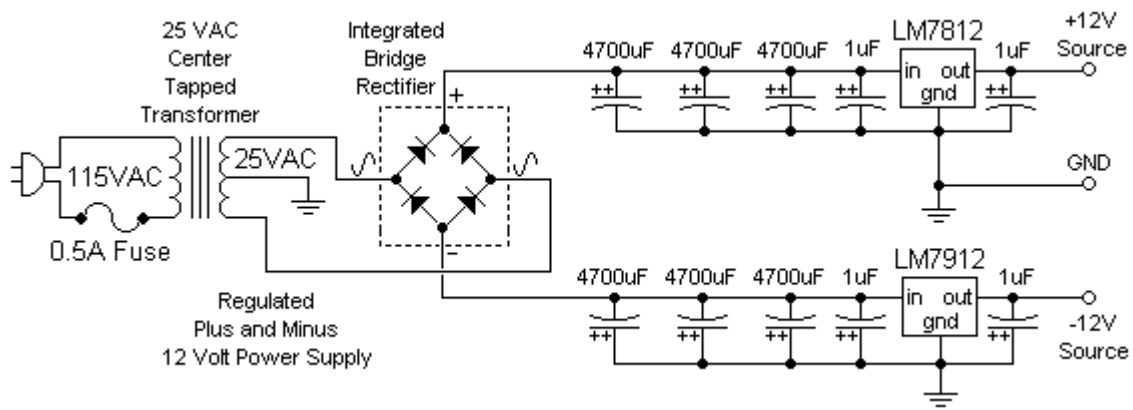


Regulated Plus and Minus 12 Volt Power Supply

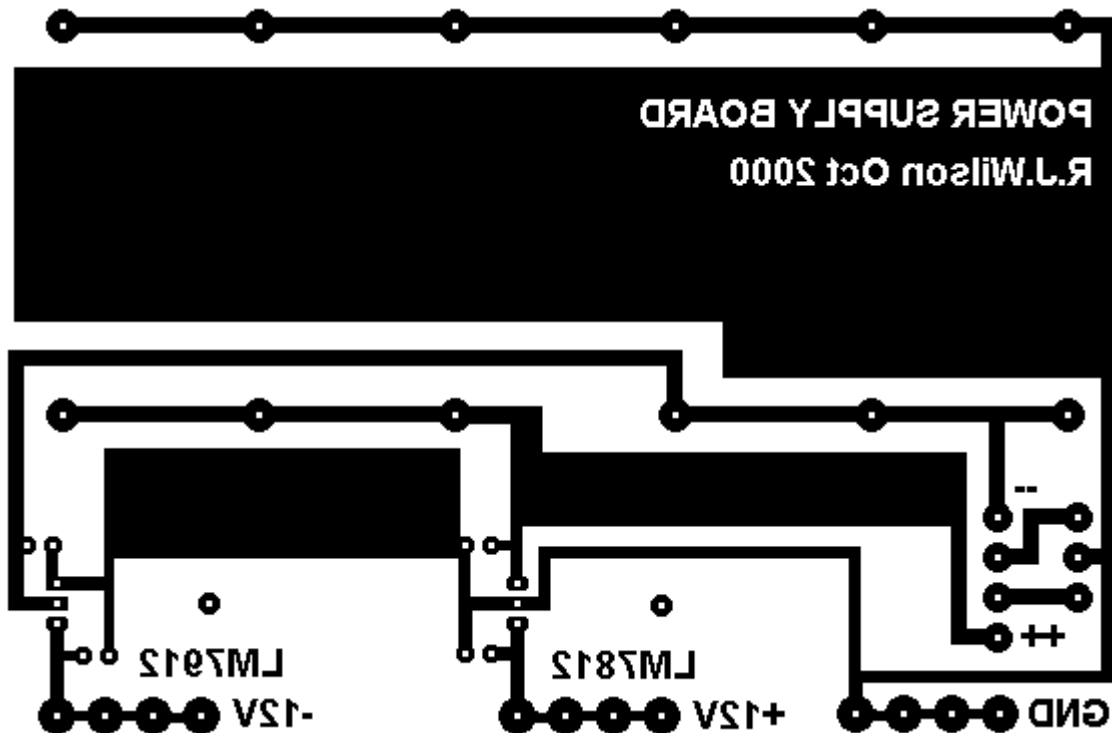
!!!WARNING!!! ELECTRIC SHOCK HAZARD !!!WARNING!!!

DO NOT attempt to construct any line operated equipment unless you are *absolutely* sure of what you are doing. Death or serious injury (to the constructor or others) is not uncommon with home construction of line powered projects. RJWSoft takes no responsibility for any injury or death resulting from, whether directly or indirectly, the reader's inability to correctly and safely construct this circuit.

Power Supply Schematic



Power Supply PCB Layout (Component Side View)



Power Supply Parts Layout

