

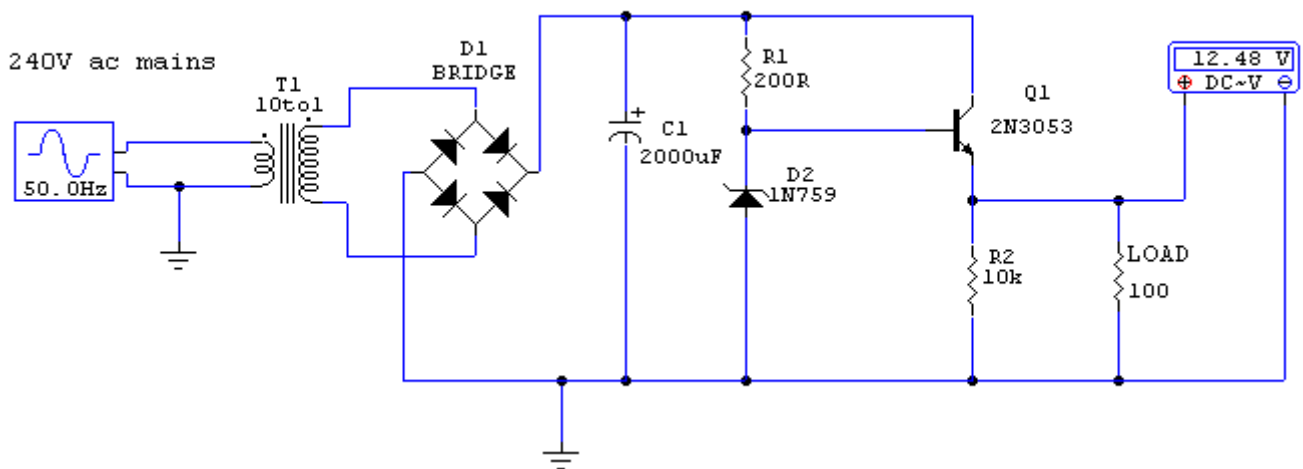
Regulated 12 Volt Supply

Circuit : Mick Devine

Email: mick_devine@yahoo.com

Description

A basic regulated 12 Volt power supply



Notes:

This circuit above uses a 13 volt zener diode, D2 which provides the voltage regulation. Approximately 0.7 Volts are dropped across the transistors b-e junction, leaving a higher current 12.3 Volt output supply. This circuit can supply loads of up to 500 mA. This circuit is also known as an amplified zener circuit.