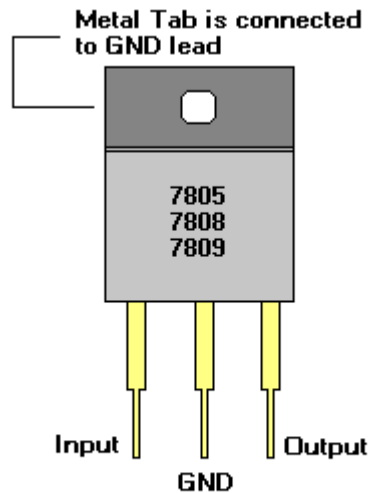


# DC - DC Convertors

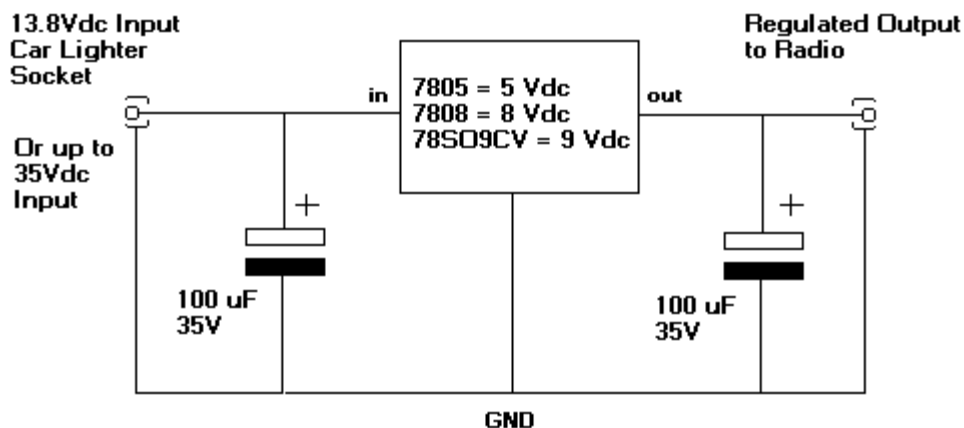
More than once in my time I have wanted to power various hand held radios / transceivers from the approx 13.8 Vdc available at the motor vehicle cigarette lighter socket. This is easily achieved using the '78..' series Voltage Regulator I.C. A 7805 will output 5V , 7808 outputs 8V and so on. Pay attention to current capability, the higher the better. These things can handle up to 35 Vdc on the input.

Below is device pinout data and a circuit diagram for the DC - DC Convertor



78 series DC - DC Convertor I.C.

## DC - DC Convertor for Hand-Helds



Most modern hand helds can accept a wide range dc input , check your rig data . For my Alinco DJ V5 I use a 78SO9CV device , which outputs 9V at up to 2Amps , ideal for my 5Watt output 2m / 70 cm dual bander.

The finished DC - DC convertor is built onto a small piece of veroboard and fitted in a small box as can be seen in the pictures below.

