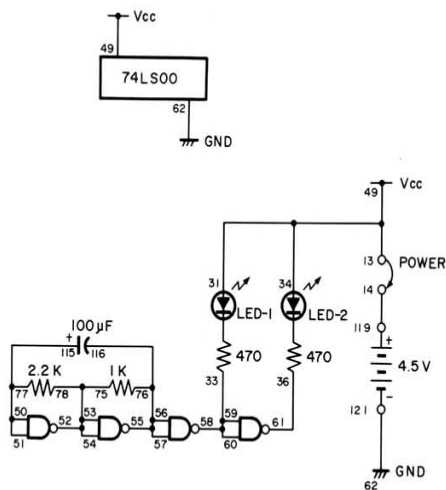


## 50. WINKING LEDS

Complete the wiring sequence for this circuit and connect terminals 13 and 14 to turn on the power. You'll see both LED 1 and LED 2 take turns going on and off. You can change the speed of the blinking by substituting different values for the  $100\mu\text{F}$  capacitor.

TTL multivibrators are becoming more widely used today in place of transistor multivibrators. Can you think of some reasons why? Write down any reasons you think TTL multivibrators would work better than regular transistor multivibrators.

TTL multivibrators take up much less space than transistor multivibrators. TTL ICs also use less current than similar transistor arrangements.



### Wiring Sequence:

13-49-31-34, 14-119, 33-60-59-58, 36-61, 50-51-77-115, 52-53-54-78-75, 55-57-56-76-116, 62-121, 13-14 (POWER).

### NOTES

