

# Wireless Headphone System

This circuit can transmit audio signals to a pair of headphones.

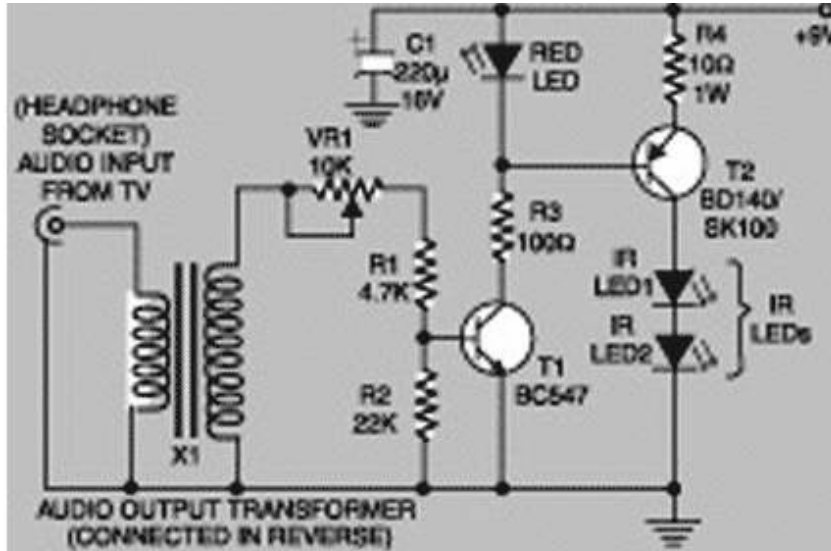


FIG. 1: IR Audio Transmitter

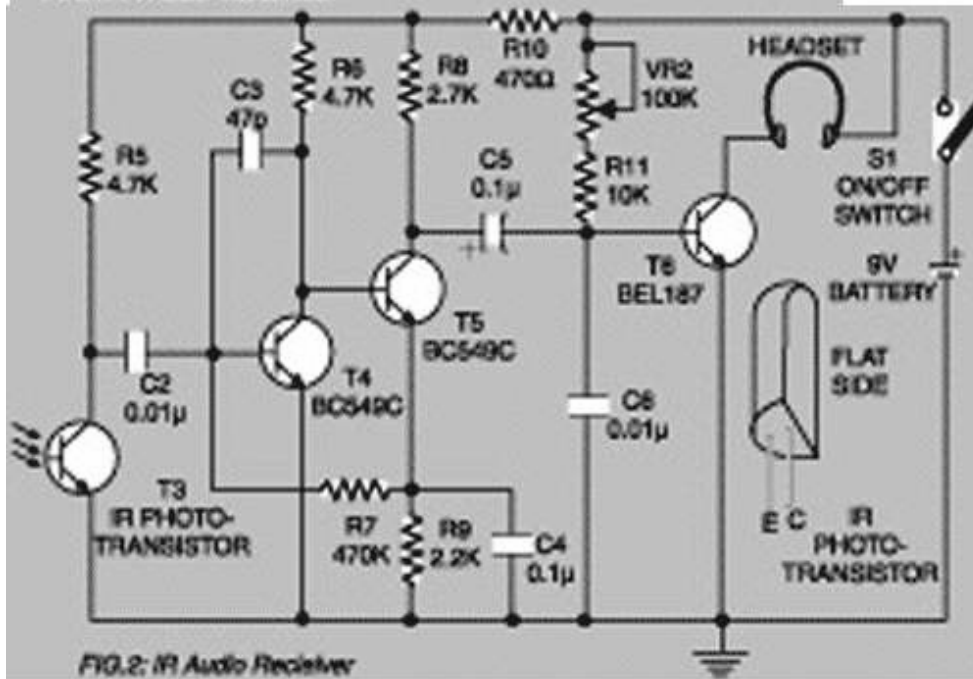


FIG. 2: IR Audio Receiver