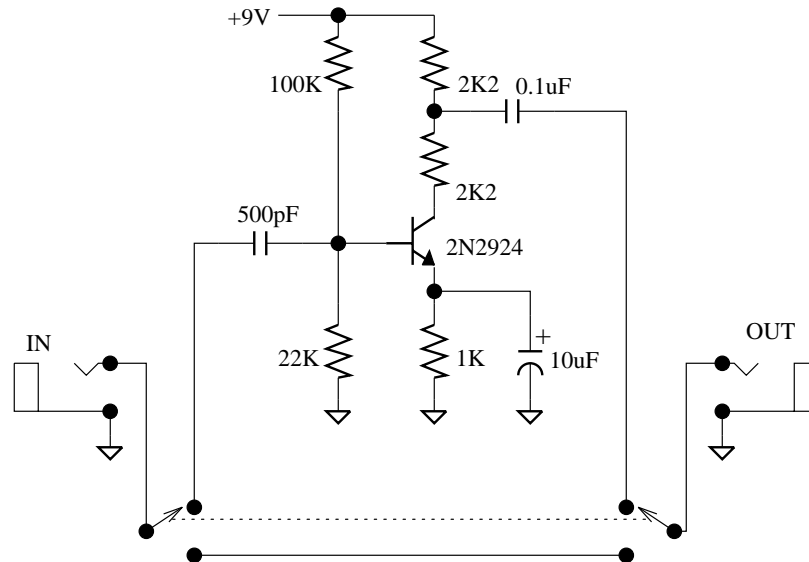
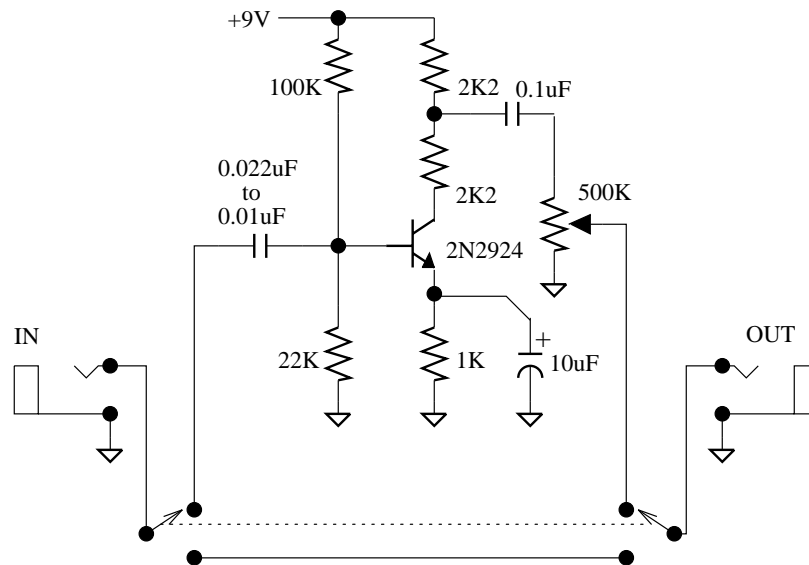


# VOX Treble Booster



Original Circuit



Modified to be used as an overdrive/distortion unit

The input cap is changed from 500pF to 0.01 uF (1000pF) or 0.022 uF (2200 pF) to allow more bass in. This usually overloads the booster and causes crunchy distortion.