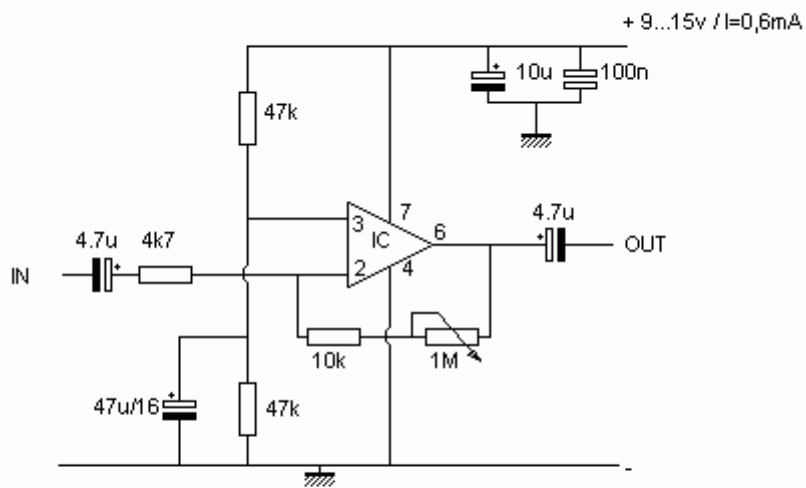
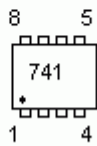


Regulatable AF Amplifier with 741



IC=741, TL071
Hfe=2...1000



de ON6MU