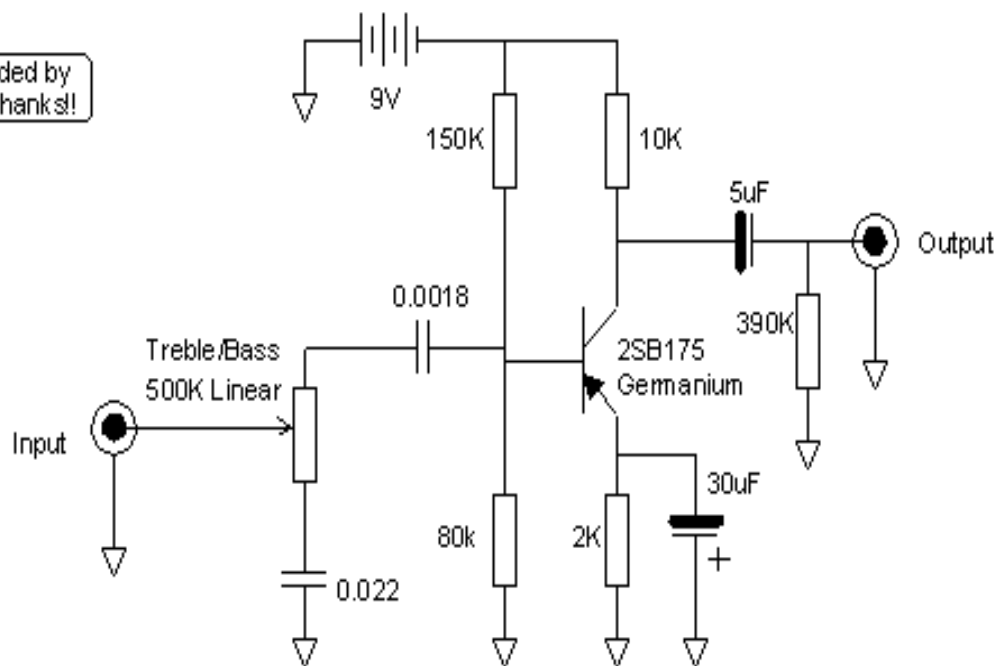


Apollo Treble and Bass Booster

Schematic provided by
Ron Neeley II. Thanks!!



Another treble/bass booster, very much like the Orange Treble/Bass Booster. It appears that the circuit values have been adapted to the different transistor used. Like the Orange, this one is also very much like the Dallas Rangemaster, but with a similar tone variation circuit in front of it.

Also like the Rangemaster and Orange, modern effects users might want to add pull down resistors on the input and bypass switching. Like the Rangemaster, you could probably get best results by tuning the bias and/or tone cap values to your particular setup.