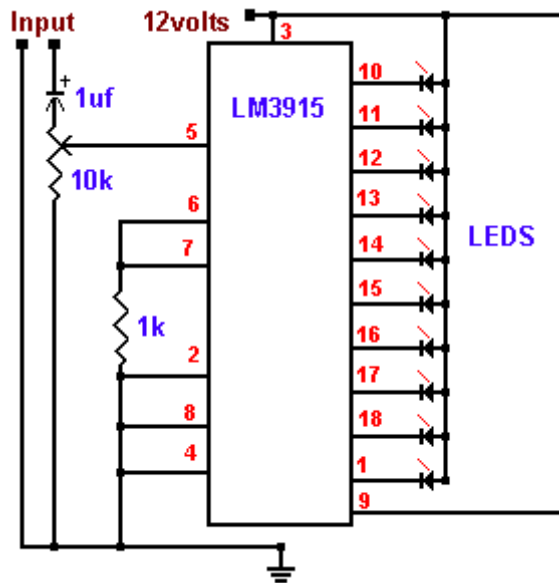
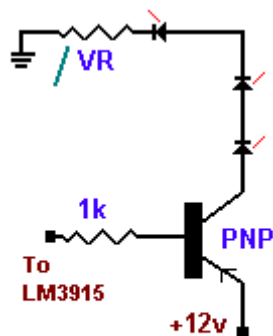


# Stereo LED VU-Meter

Here you can find a very simple circuit based on the LM3915 for make a stereo led Vu-Meter for your applications with MP3.



If you want put more than 1 Led on every pin , you must add this circuits for power



Here there is nothing to write, the LM3915 is ready for this kind of application so you don't need other things...You must only set the variable resistor for a right visualization of volume level.