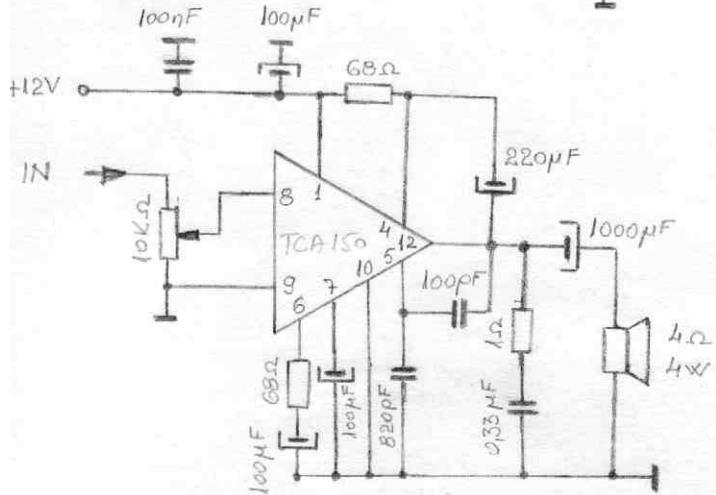
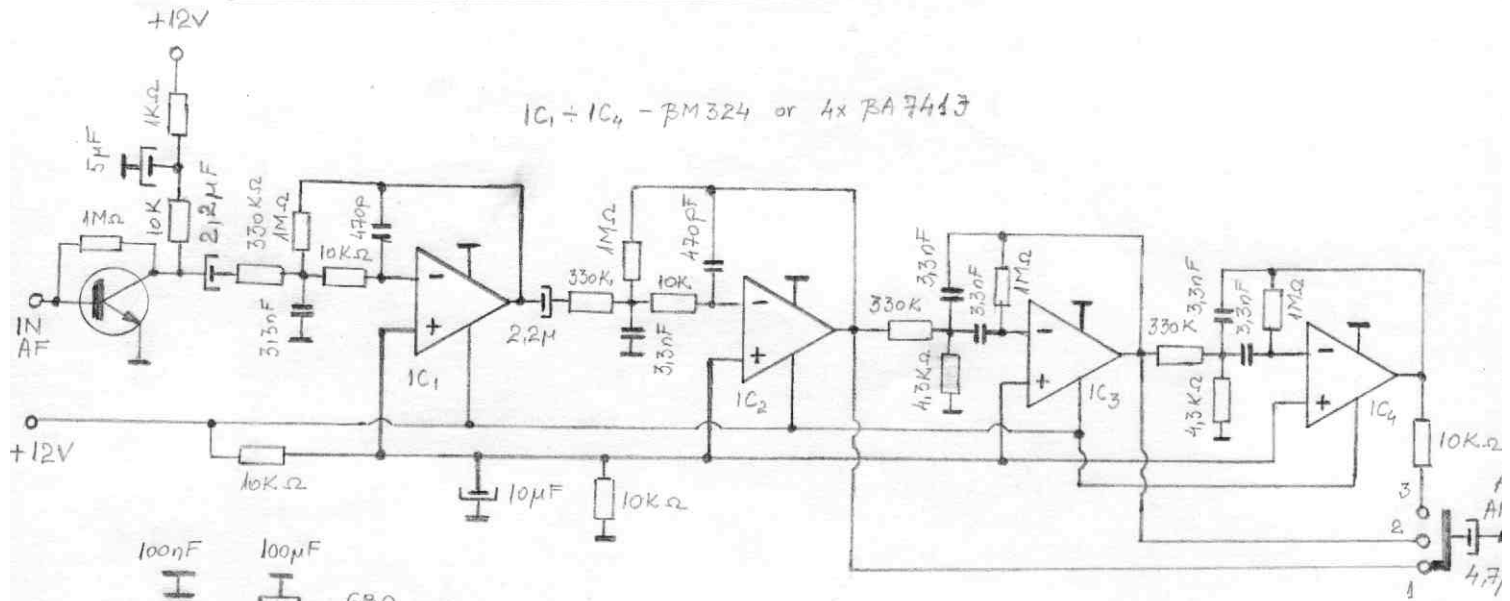


# SSB AND CW FILTER, AF AMPLIFIER



- 1-SSB  $F_c - 3000Hz$
- 2-CW<sub>1</sub>  $F_c - 850Hz$
- 3-CW<sub>2</sub>  $F_c - 350Hz$

