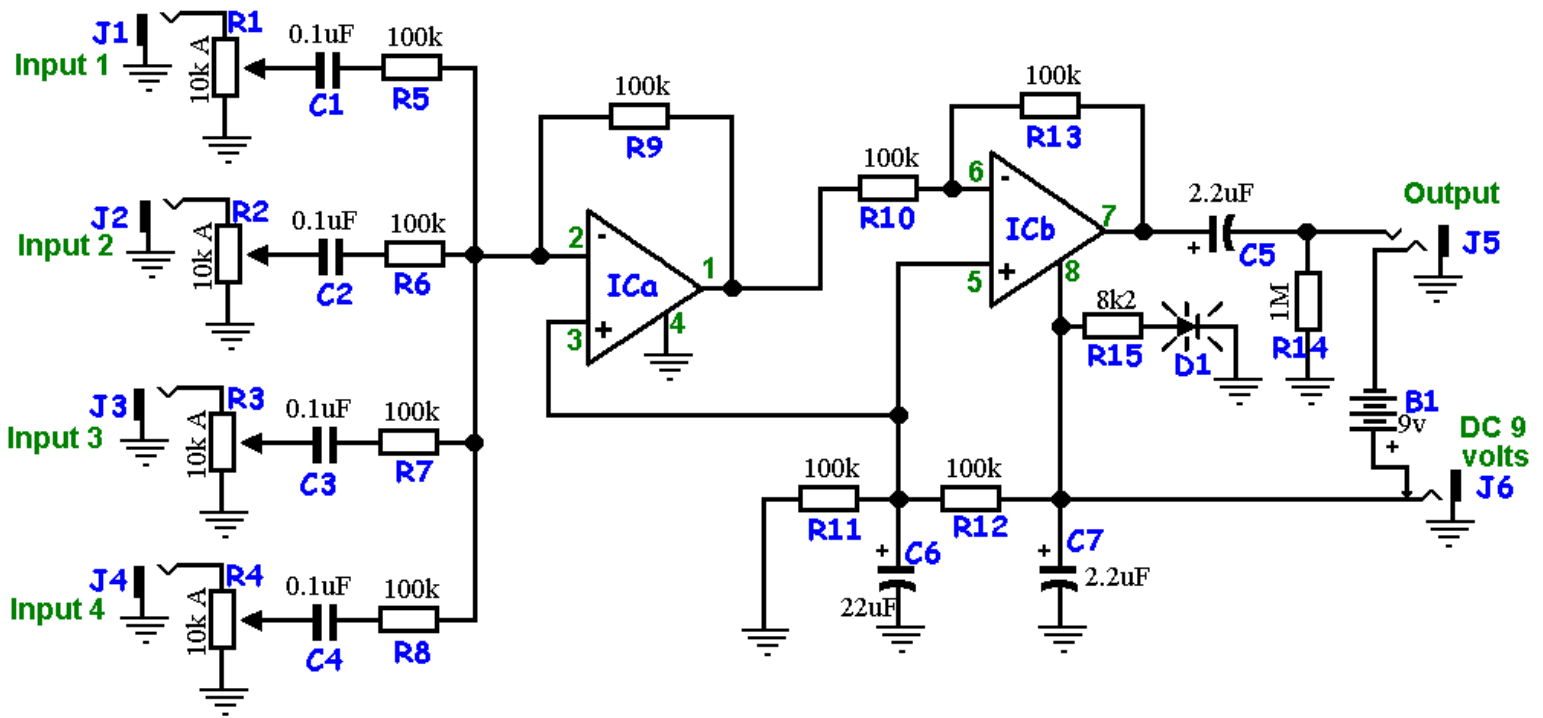


Mini Mixer

Minor improvements on R.G. Keen's Simple Mixer. Power on/off LED status indicator and DC jack included. Output jack controls the battery power. IC1 = TL072



Drawn by: JD Sleep

Revision: 2002-11-01

Copyright 2002 JD Sleep

Guitar Effects Projects @ www.generalguitargadgets.com

Permission refused for posting/serving this diagram from any site other than Guitar Effects Projects