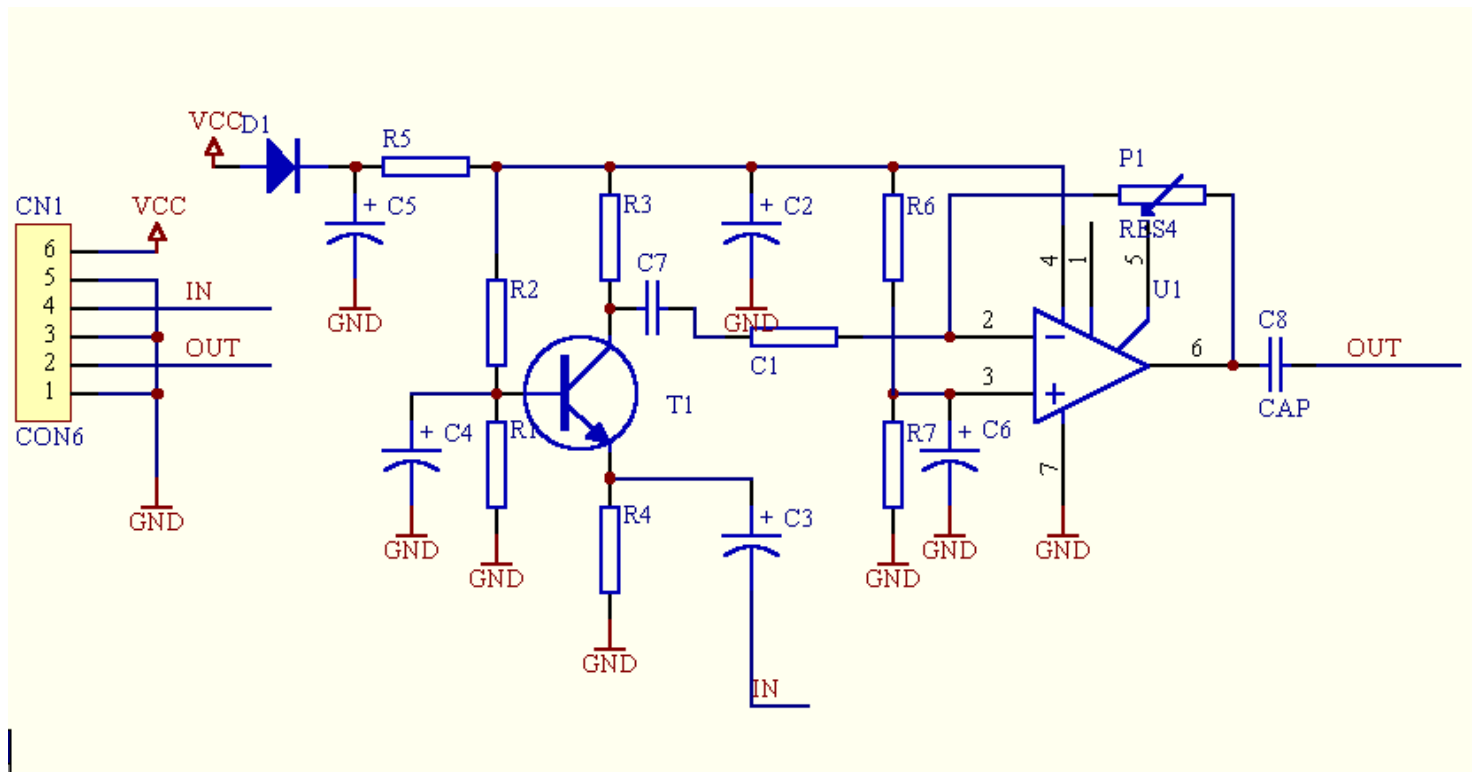


# Low impedance microphone amplifier

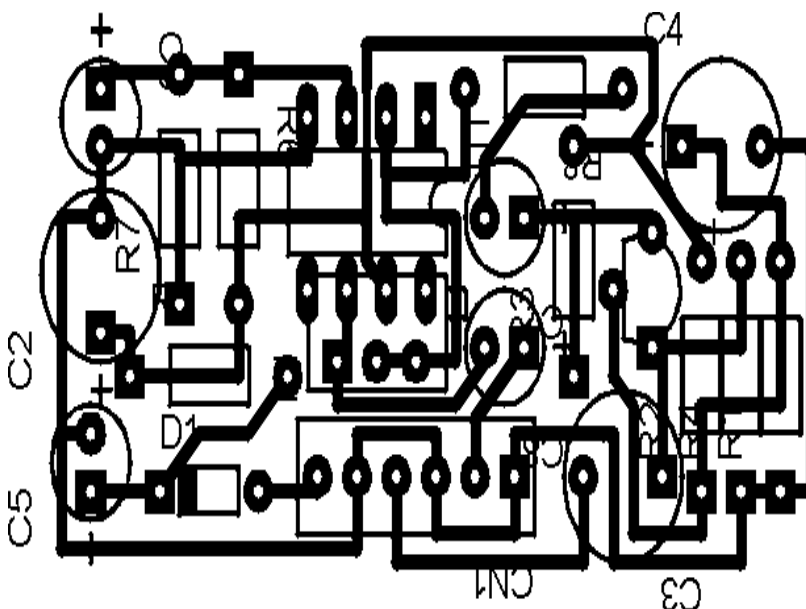
## Description

The circuit is a microphone amplifier for use with low impedance (~200 ohm) microphones. It will work with stabilized voltages between 6-30VDC. If you don't build the impedance adapter part with T1, you get a micamp for higher impedance microphones. In this case, you should directly connect the signal to C7.

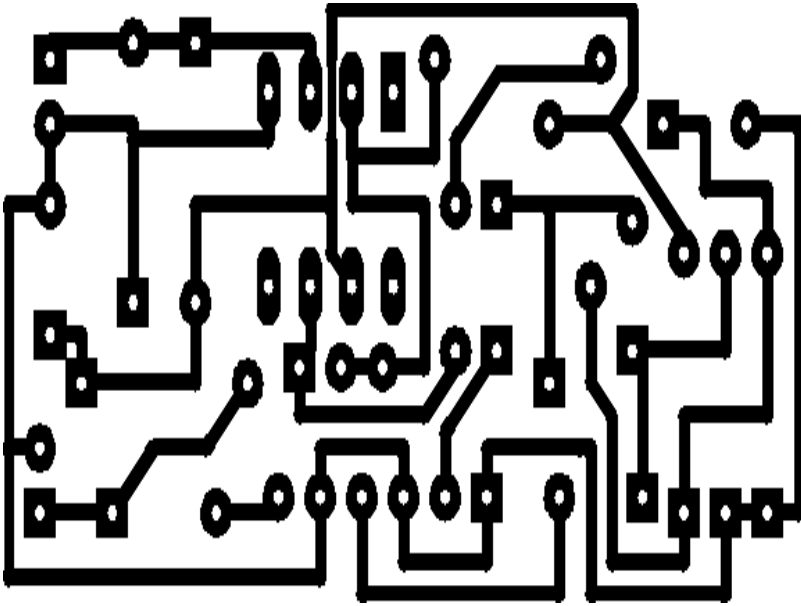
## Schematic diagram



## Layout of board



## printed PCB



## components

Name	Value
R1	15k
R2	150k
R3	2k2
R4	820
R5	680
R6	10k
R7	10k
P1	1M

Name	Value
C1	3k9
C2	100u
C3	22u
C4	4u7
C5	470u
C6	10u
C7	100n
C8	47u UNIPOLAR

Name	Value
U1	TL081
D1	1N4148
CN1	SIL6