

LED VU-Meter 60dB Reloaded 2014

Rikard Lalić

Original 1st version published in Elektor Electronics 7/8 2002 with title »60-dB LED VU-Meter « by the same author



Photo by Rikard © 2014

Introduction

Originally, first version of this VU-Meter, was published in Elektor Electronics 7/8 ©2002 with title »60dB LED VU-Meter« by the same author. New advanced version published here is a significant modification of the original circuit with several improvements listed below. These are based primarily on lower power supply voltage, which is now, very popular and very commonly available, the +5Vdc.

Core

Schematic diagram of the new VU-meter in Figure 1. shows modifications clearly colored in red, so they can be easily distinguished and compared with the original, version-one diagram.

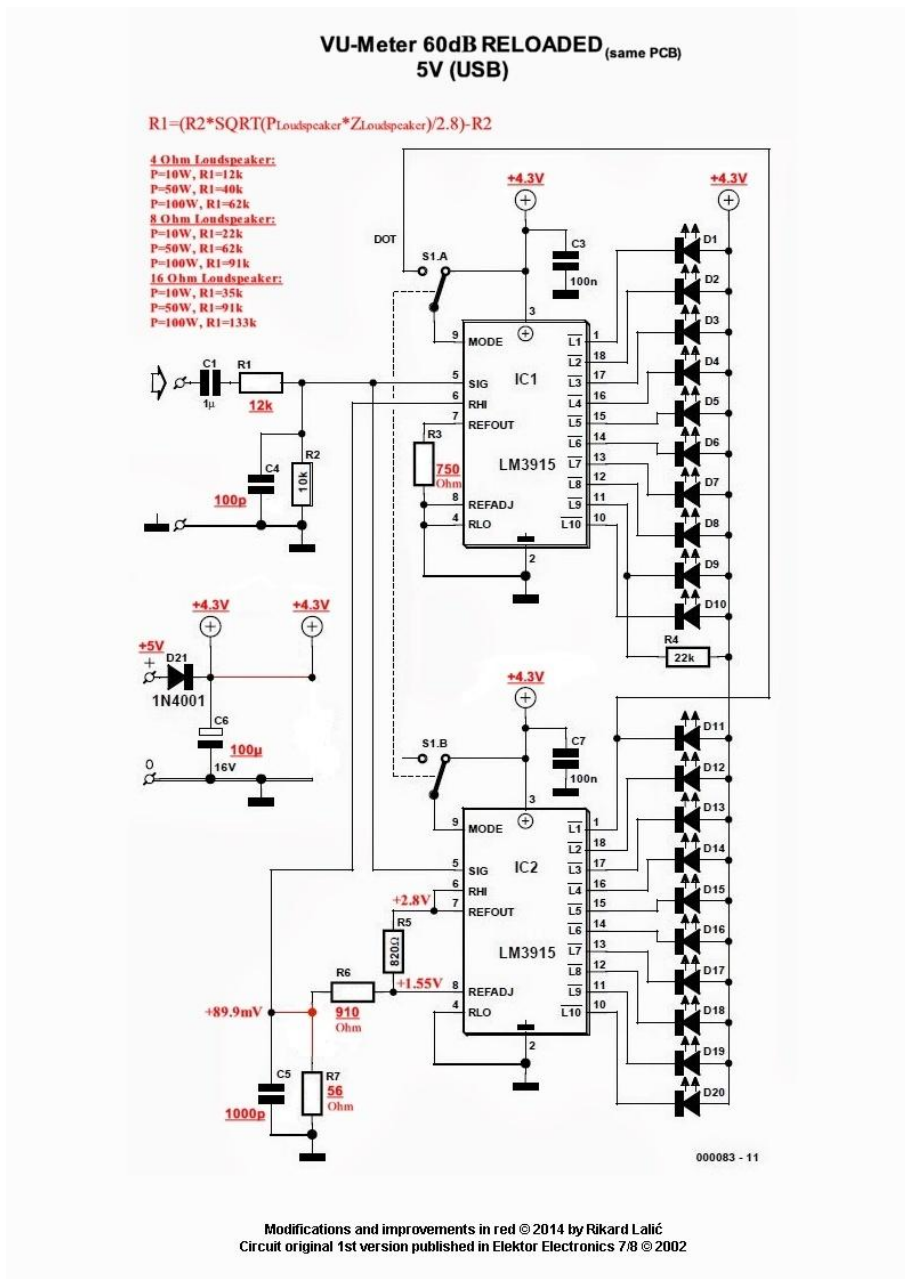


Figure 1. LED VU-Meter 60dB Reloaded 2014

Following advantages benefit this new circuit:

- simplified and compatible with original version
- LM3915 pin 5 input level decreased from 5V to 2.8V, meaning generic sensitivity increased by roughly 5dB. In order to remain compatible with 1st version, R1 has been modified and can be picked up from the table or calculated for specific needs from the formulae.
- fully functionally operates from barely +5Vdc power supply and covers the whole 60dB of the very same input signal range as in previous version (within few percents). Stabilised power supply is advised.
- retains same brightness, no LED current droop-out even with such a low power supply voltage has been evident. That assuming any ordinary or other LED is applied with forward voltage of about 2V or so. Most Red, Green and Yellow ordinary LEDs or LED Displays fulfill this condition.
- in DOT MODE, which in this circuit behaves as VIRTUAL SMEAR-BAR MODE (AC audio signal), circuit consumes far below 500mA (Stereo-Tandem or Single-Mono configuration), 50mA typically. That is what at least any typical PC USB 2.0 or later USB computer interface is nominally capable of to deliver. In BAR MODE and in Stereo-Tandem configuration, the peak current consumption can be significantly above 500mA, some 750mA is typical value with all LEDs »ON«. Using personal computer USB 2.0 socket is therefore, in this second case disadvised. Most of the commercially and broadly available, very popular, Wall-Mains-Outlet USB AC/DC Adapters can deliver 1A or more current, what is more than enough for full stereo version of this VU-Meter. It should be noted, that average current is still only half of the peak one, so on average scale, this circuit current will always stay well below 400mA.
- can retain the very same Elektor PCB (000083) with no modifications to the PCB itself
- retains design simplicity and precision of the pure audio input signal authentic processing
- requires less components, resulting in lower costs
- requires no more alignment, uses fixed value components, what makes it easier to build and instantly use. The 1% tolerance components are advised for critical resistor positions.
- dissipates less heat - consumes less power, almost half less (about 45% savings), compared with the previous version
- despite of low supply voltage, retains "Power Polarity Protection Diode" (D21) with known important advantages
- requires only few modifications / replacements, so even an already built version-one circuit could be efficiently and successfully converted into the new one.

Conclusion

This circuit update may be interesting for many as there have been evident attempts worldwide to build and use version-one circuit even today. It seems circuit retains or even regains popularity. Availability, popularity and importance of energy savings, as well as USB standard devices and power

supplies operating from +5V, have reached an imperative presence in society today. Attempts to make use of +5V power supply with unmodified or partially and insufficiently modified original VU-Meter circuit version-one, results in incorrect operation (out of LM3915 suggested specifications), so adequate circuit, referencing old article, is described in this short article to cope with that. The described circuit has been built and fully and successfully tested.

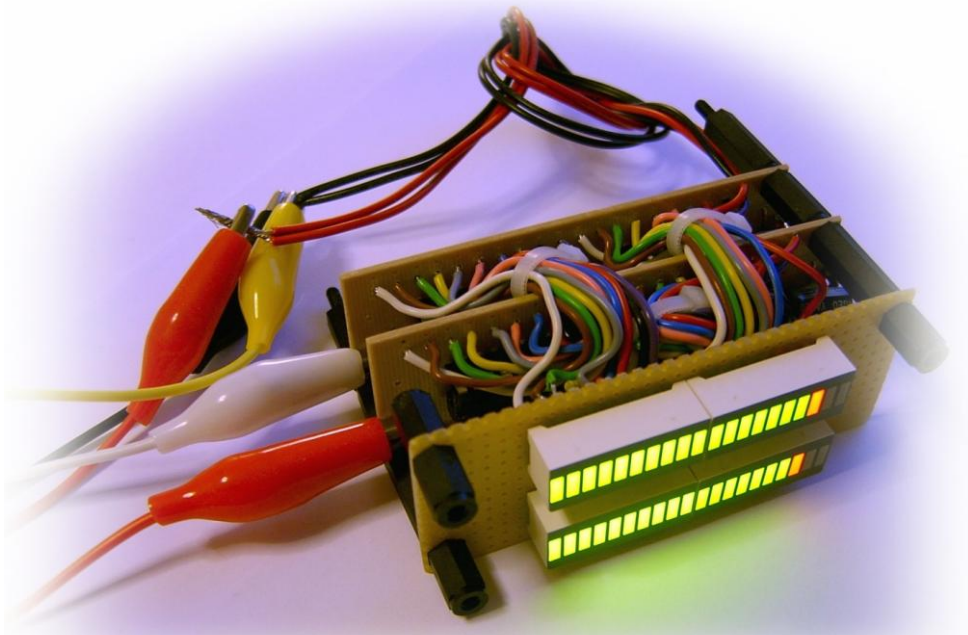


Photo by Rikard © 2014

Figure 2.

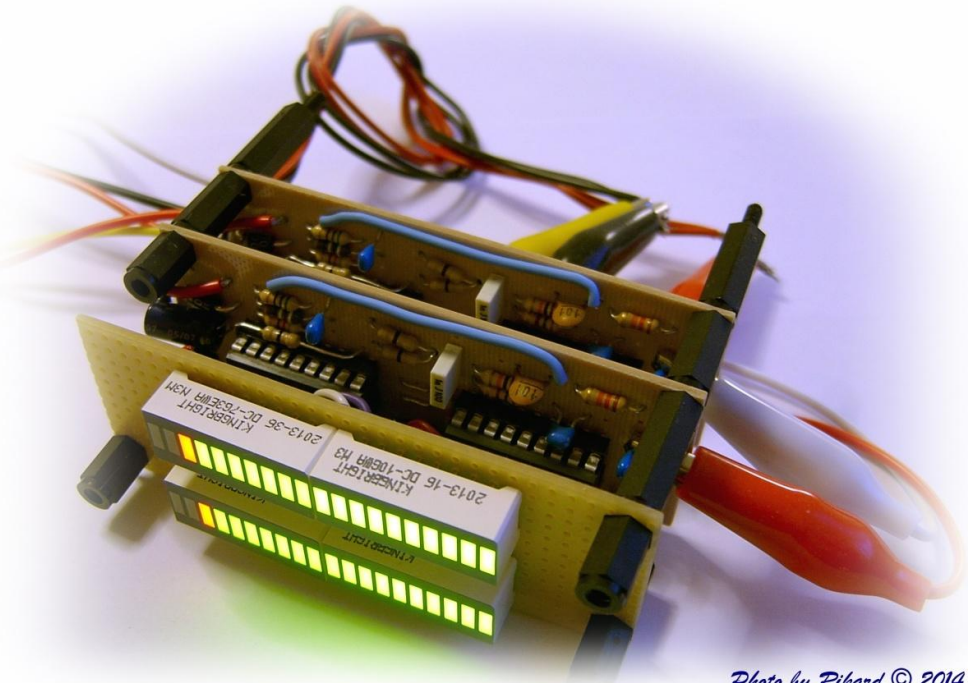


Photo by Rikard © 2014

Figure 3.

Licence information

The »60dB LED VU Meter« original schematic diagram is

Copyright ©2002 Elektor Electronics.

All other schematic diagrams, photos, text and documents included in this project documentation are

Copyright ©2014 Rikard Lalić

and may be freely redistributed free of any charge and used in a whole or in a part provided that the above copyright notices and this paragraph are duplicated in all such forms and that any documentation, advertising materials, and other materials related to such distribution and use acknowledge these Copyright holders.

THIS DOCUMENTATION IS PROVIDED BY ABOVE STATED COPYRIGHT HOLDER "AS IS" AND ANY EXPRESS OR IMPLIED WARRANTIES, INCLUDING, BUT NOT LIMITED TO, THE IMPLIED WARRANTIES OF MERCHANTABILITY AND FITNESS FOR A PARTICULAR PURPOSE ARE DISCLAIMED. IN NO EVENT SHALL THE COPYRIGHT HOLDER BE LIABLE FOR ANY DIRECT, INDIRECT, INCIDENTAL, SPECIAL, EXEMPLARY, OR CONSEQUENTIAL DAMAGES (INCLUDING, BUT NOT LIMITED TO, PROCUREMENT OF SUBSTITUTE GOODS OR SERVICES; LOSS OF USE, DATA, OR PROFITS; OR BUSINESS INTERRUPTION) HOWEVER CAUSED AND ON ANY THEORY OF LIABILITY, WHETHER IN CONTRACT, STRICT LIABILITY, OR TORT (INCLUDING NEGLIGENCE OR OTHERWISE) ARISING IN ANY WAY OUT OF THE USE OF THIS DOCUMENTATION, EVEN IF ADVISED OF THE POSSIBILITY OF SUCH DAMAGE.