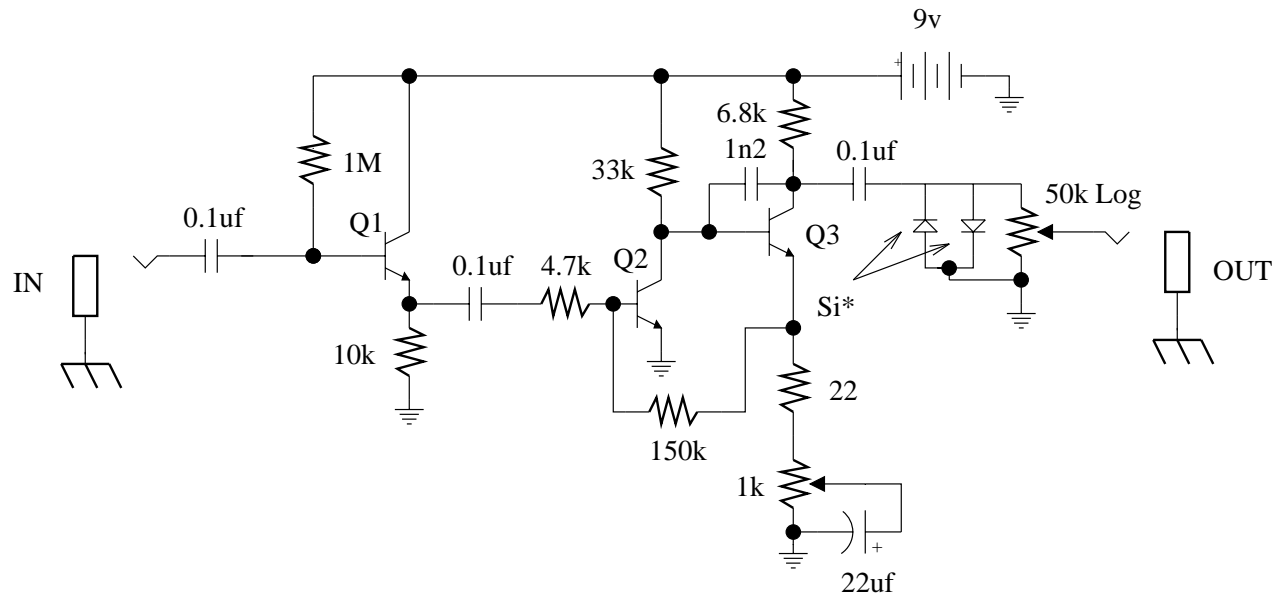


JSH Fuzz



*pretty much any silicon signal diode can be used here

Q1 - BC238B

Q2, Q3 - BC239C

Model FZIII