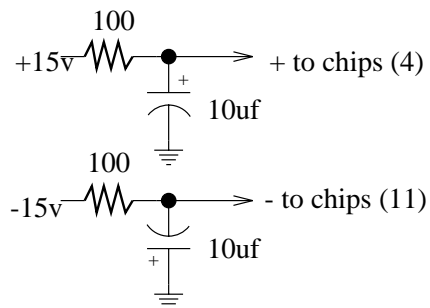
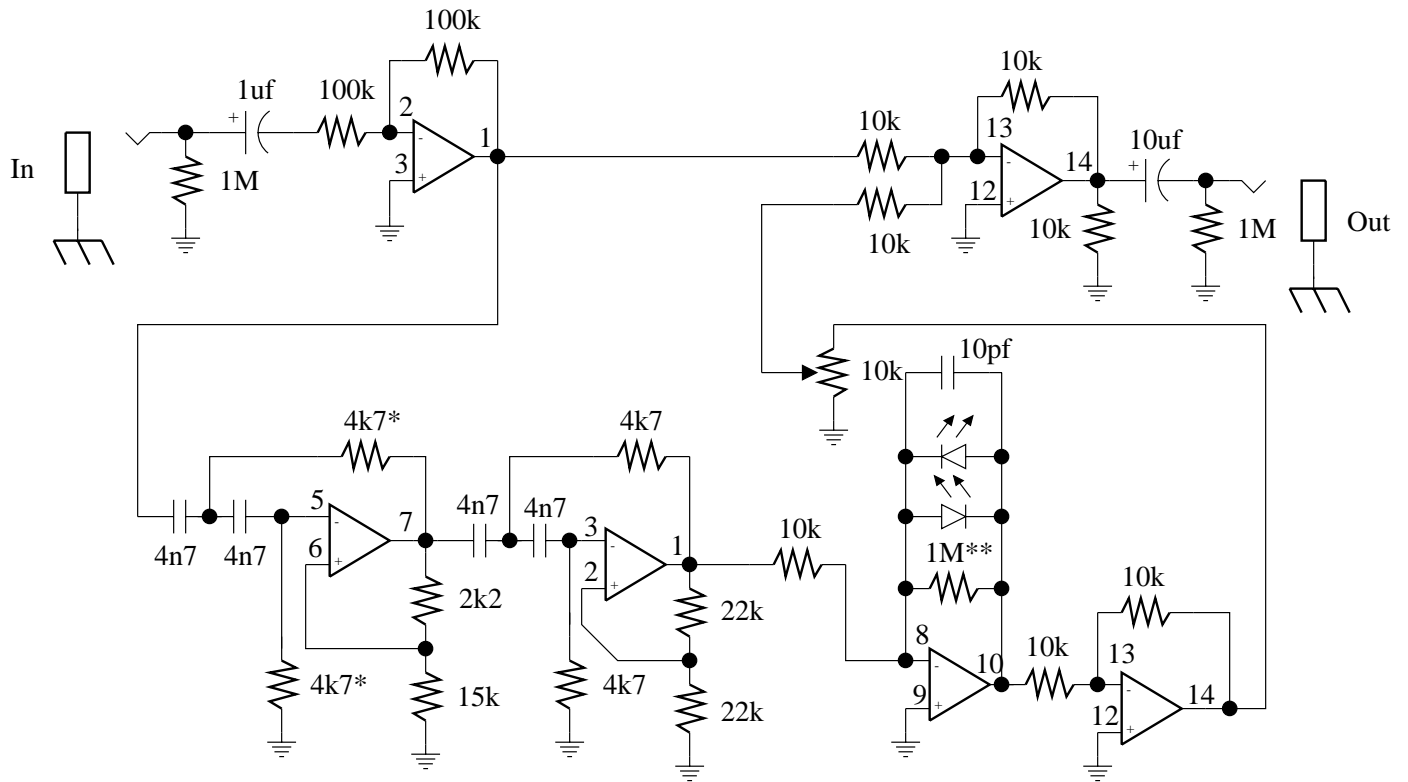


# Harmonic Sweetener



A couple of red led's will work nicely for the clipping section. The op-amps shown are TL074 types with 3 of the 4 amps used. Possible modifications include changing the resistors marked \* to a 10k dual-ganged pot for a tunable filter, and/or changing the resistor marked \*\* to a 2.5 M pot for a drive option.