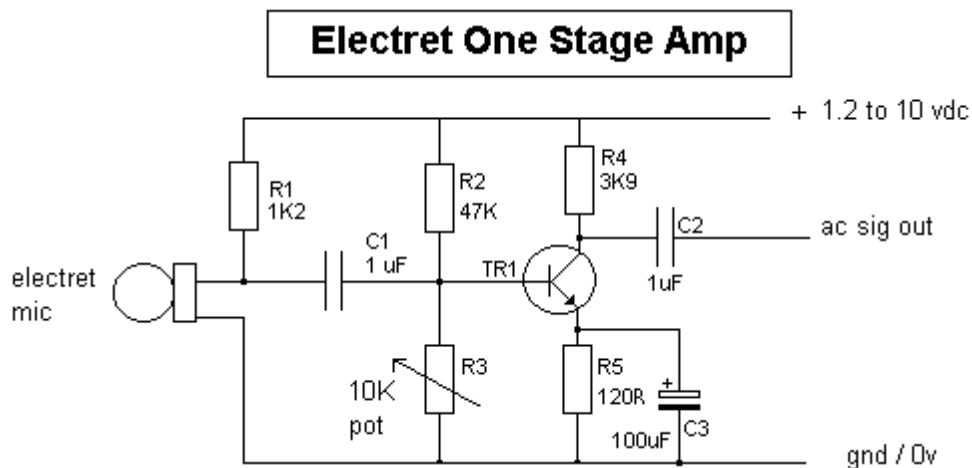


The GOIER Microphone Amplifier Circuit

This little amp is reliable when using electret microphones. It offers about 20dB gain. The circuit links nicely with the audio amplifier shown elsewhere on this site. Start R3 pot at 5K and adjust for best sound when setting up ...



Electret Mic one stage amplifier .
Adjust pot R3 for best sound ...
Approx input impedance 1 k
Approx circuit gain 20 db
Nominal supply 5 VDC.