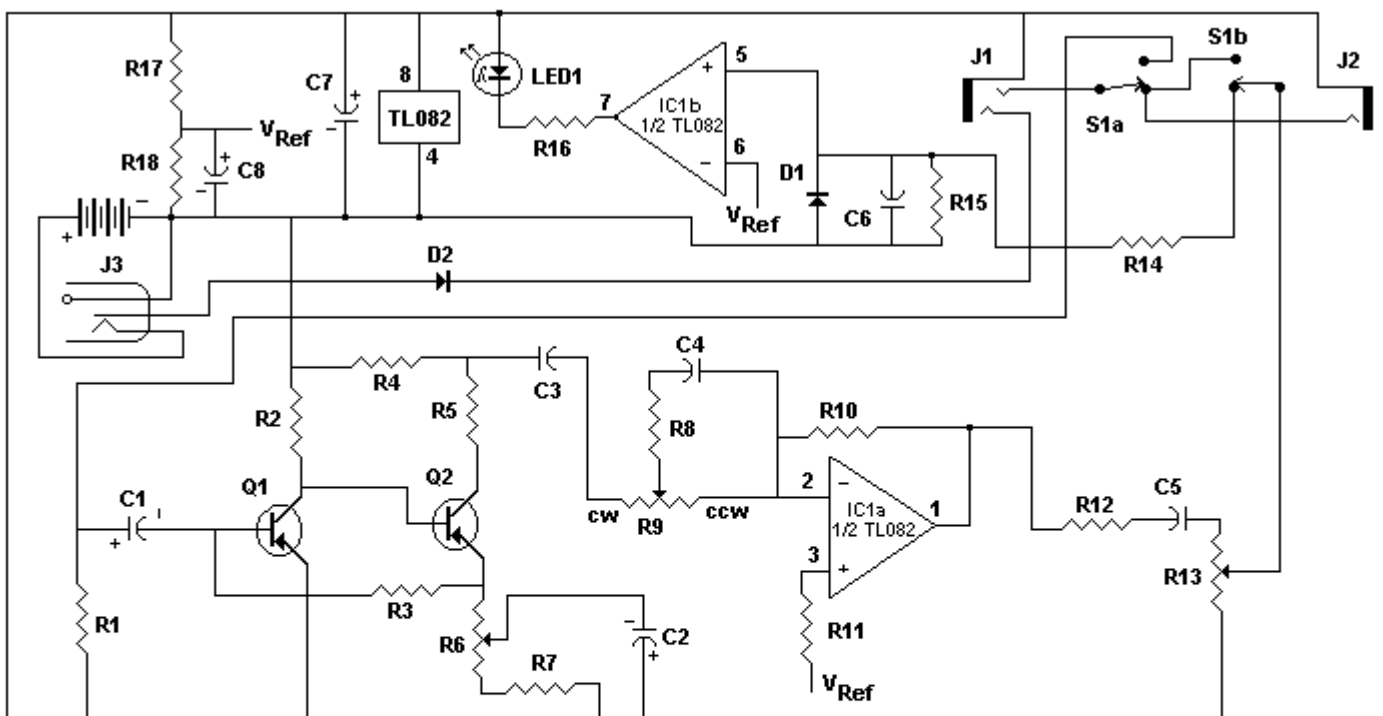


Bear Face Effect

This circuit distorts any audio signals passed through it and is known as the bear face effect.

The Bear Face - Schematic



All fixed resistors 1/4 watt,
5% tolerance

R1 - 1 Megohm

R2 - 33K or Per Device

R3 - 100K or Per Device

R4 - 470 ohm or Per Device

R5 - 8.2K or Per Device

R6 - 250 to 1000 ohm linear, see text

R7 - Varies with value of R6, see text

R8 - 4.7K

R9 - 50K audio taper

R10, R11 - 10K

R12 - Per Device, see text

R13 - 500K audio taper

R14 - 10 Megohms (see text)

R15 - 22 Megohms (see text)

R16 - 4.7K

R17, R18 - 22K

C1 - 2.2 mfd. 15 volt

C2 - 22 mfd. 15 volt

C3, C5 - .1 mfd.

C4 - .047 mfd.

C6 - .01 mfd.

C7, C8 - 100 mfd. 15 volt

IC1 - TL082

Q1, Q2 - Hand-selected germanium,
see notes

D1, D2 - 1N4001

LED1 - Jameco 94511 or Radio Shack 276-310

J1 - 1/4" stereo jack

J2 - 1/4" open-circuit jack

J3 - External power jack,
Radio Shack 274-1582 or 1583

S1 - E-Switch 1XJN002UEE, Digi-Key p/n EG1016-ND or
Carling, Arrow, MCM. etc. stomp switch, see text