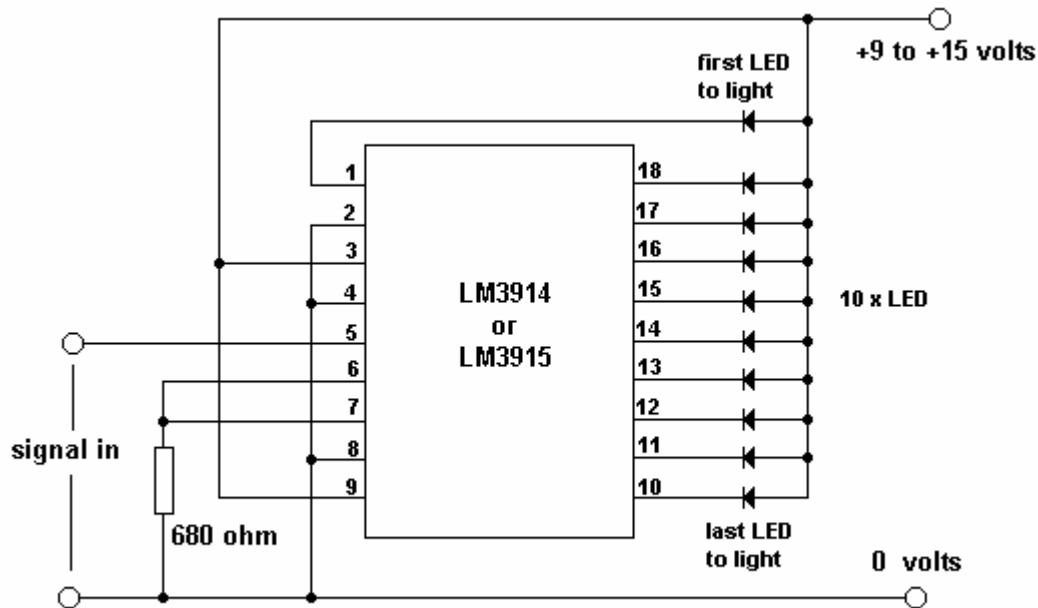


# A Bargraph Display



One application of the bargraph can be seen on the front of Hi-Fi amplifiers, where an array of LED's indicates audio levels. As the signal increases, the LEDs come on in ascending order.

The LM3914 has a linear output, an increase of each 0.125 volts causes another LED to light up. An increase of 1.25 volts ( $10 \times 0.125$ ) causes all LEDs to illuminate.

The LM3915 has a logarithmic scale. For the technically minded, this means that each LED indicates a change of 3db.

As shown, the display is in "bar mode". Change to "spot mode" by disconnecting pin 9 from the positive supply and allowing it to float free.

These devices can be used to sound an alarm when the input voltage rises to a certain value, or switch larger lamps via thyristors.

Note that the outputs go low when activated.