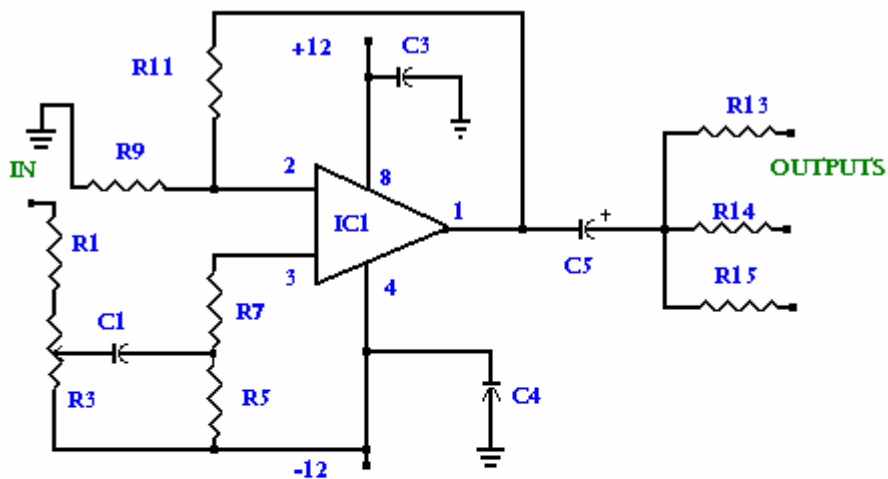


The Audio / Video Distribution Amplifier

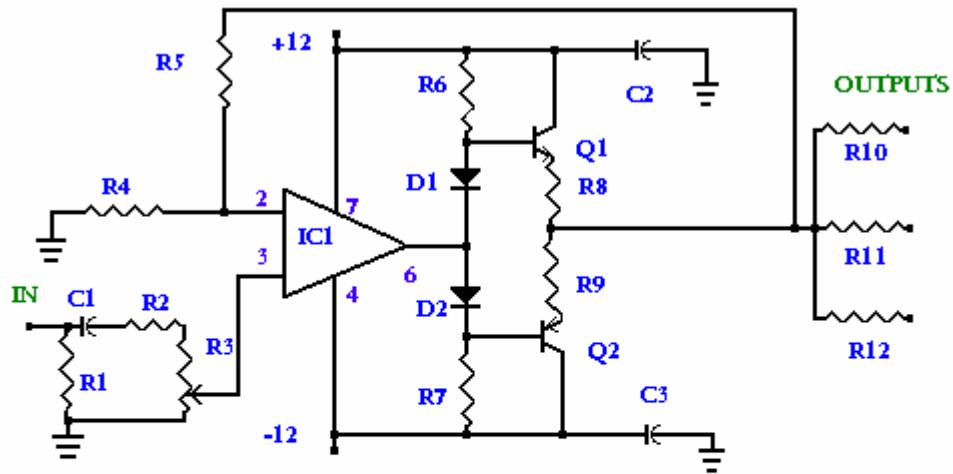
With the amount of equipment in home entertainment centers today the need to be able to vary the gain of the audio or video signal is needed. I found this particular circuit helpful when used in conjunction with the Universal Descrambler and a Stabilizer circuit I built for making copies of video tapes. It not only allowed me the ability to fine tune the video strength it also helped me increase the recorded audio which typically becomes poor when making tape copies.

Circuit operation is straight forward for amplifier circuits. The second channel for the audio amplifier is made up of the same components except the other half of IC1 is used. Pin 6 & 5 are inputs and 7 is the output.



Audio Distribution Amplifier

R1=47K	R15=300
R3=100K	C1=.22uf
R5=560K	C3=.1uf
R7=330	C5=100uf
R9=1K	IC1=5532
R11=2.2K	
R13=300	
R14=300	



VIDEO DISTRIBUTION AMPLIFIER

R1=75	R6=2.2K	R11=75	D1=1N914
R2=4.7K	R7=2.2K	R12=75	D2=1N914
R3=2.5K	R8=2.7K	C1=22uf	Q1=2N3053
R4=200	R9=2.7K	C2=.1uf	Q2=2N4037
R5=1.8K	R10=75	C3=.1uf	IC1=CA3100