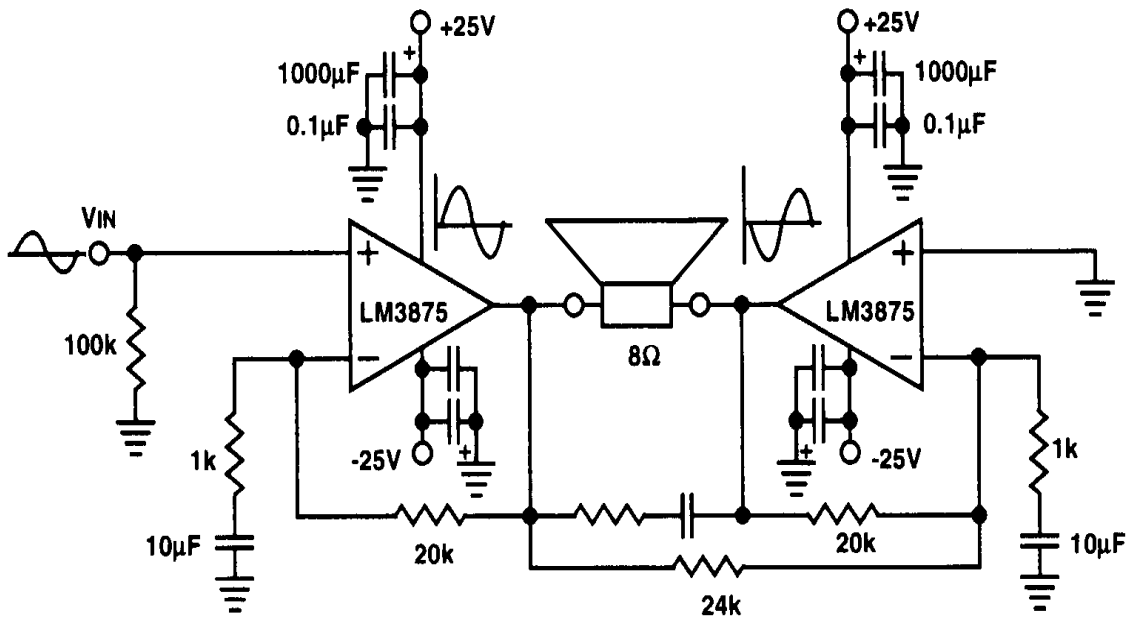


### 80-WATT IC AUDIO AMPLIFIER



This audio power amp will deliver 80 W of audio into an 8-Ω load. The LM3875 IC devices should be suitably heatsinked. Note that the amplifier is a bridged circuit, with both speaker leads “hot.”