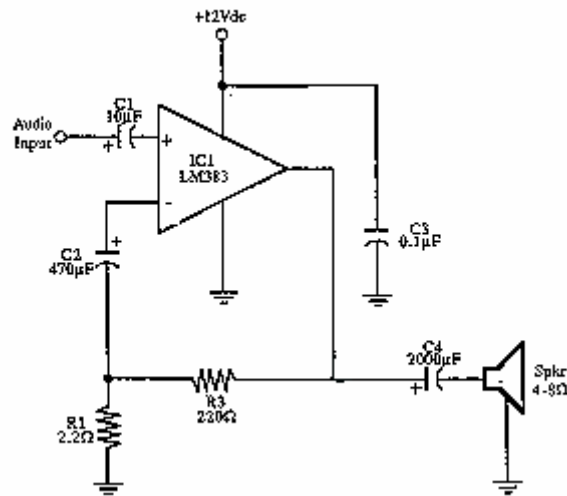


8 Watt Audio Amp

Courtesy of [Aaron Cake](#)



Here is the schematic for an 8 watt audio amp. This amp can be used as a simple booster, the heart of a more complicated amplifier or used as a guitar amp.

Part	Description	Quantity	Substitution
C1	10uf Electrolytic Capacitor	1	
C2	470uf Electrolytic Capacitor	1	
C3	0.1uF Disc Capacitor	1	
C4	2000uf Electrolytic Capacitor	1	2200uF
R1	2.2 Ohm Resistor	1	Anything Within 10%
R2	220 Ohm Resistor	1	Anything Within 10%
IC1	LM383 8 Watt Amp IC	1	ECG1232

Notes:

1. IC1 MUST be installed on a heat sink
2. C3 is for filtering and to prevent oscillation and should not be omitted.
3. The circuit can be built on a perf board, universal solder board or PC board