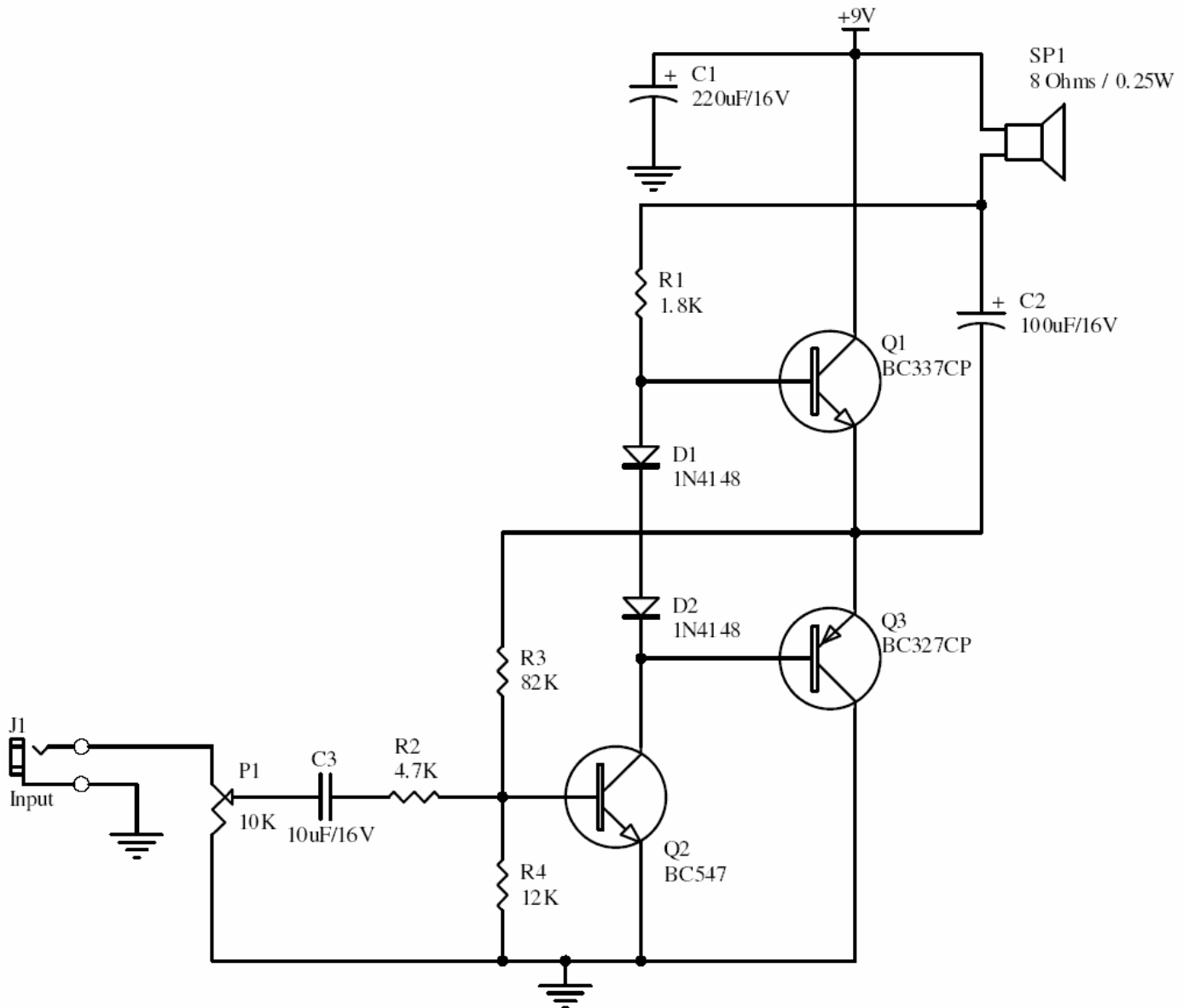


# 250 mW Audio Amplifier



This is a low watt audio amplifier with a different technique in design. The 1.8K resistor has been connected to output of the circuit instead of VCC line. The output power of the circuit is about 250mW on an 8 ohms small speaker.