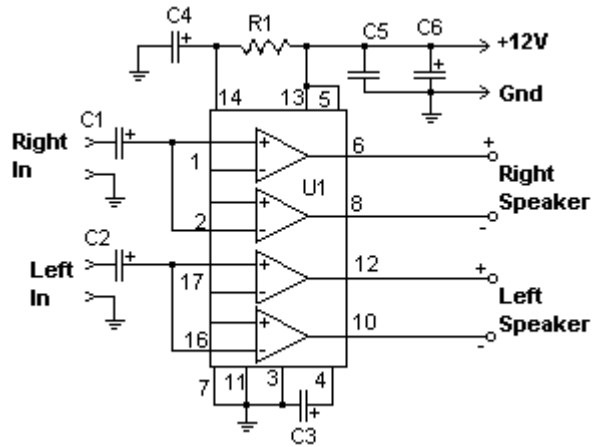


Stereo Amplifier - 22 Watts



Very simple and useful circuit for amplify the stereo signals. The circuit dissipates roughly 28 watts of heat, so a good heatsink is necessary. The chip should run cool enough to touch with the proper heatsink installed. The circuit operates at 12 Volts at about 5 Amps at full volume. Lower volumes use less current, and therefore produce less heat. R1 is also a 5% resistor.

Component	Value	Qty
Resistor [R1]	39 K, ¼ W	01
Capacitor [C1, C2]	10 uF at 25 V	02
Capacitor [C3]	100 uF at 25 V	01
Capacitor [C4]	47 uF at 25 V	01
Capacitor [C5]	0.1 uF at 25 V	01
Capacitor [C6]	2,200 uF at 25 V	01
IC [U1]	TDA1554	01