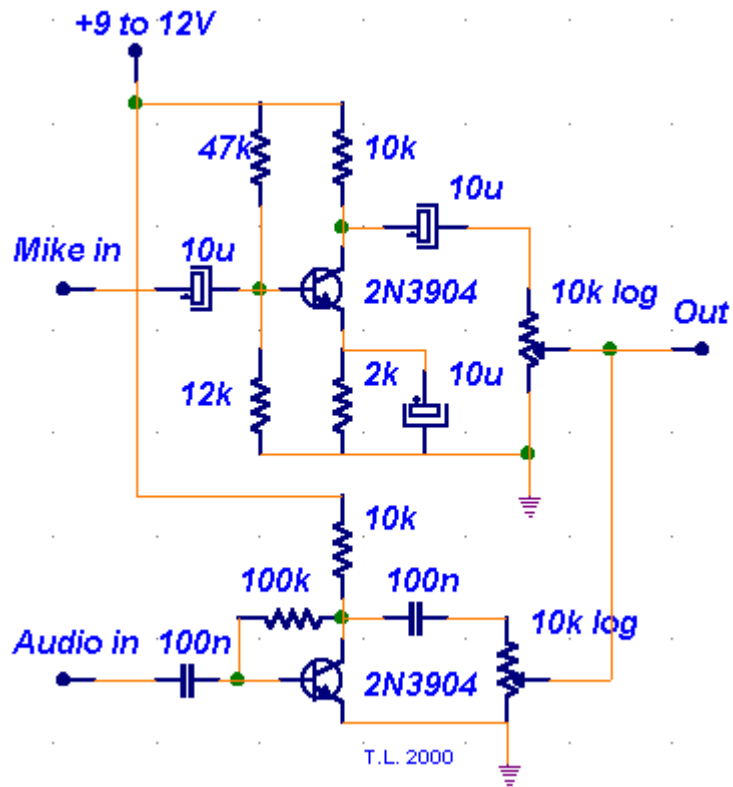


2-Input Audio Mixer



Original source:

My design.

Description:

As simple as it gets. The mixer consists of two transistor-based preamplifiers. The first one (designated "Mike in") offers higher gain. it works well with a regular dynamic microphone. The second one can be used to control audio input from a tape recorder/CD player.

Problems:

There can't go much wrong here. Do not place the circuit too close to a mains transformer to avoid any hum.

Possible uses:

I built this mixer for my [4W FM transmitter](#). To hear what I'm transmitting, I also added a LM386 headphone amplifier.