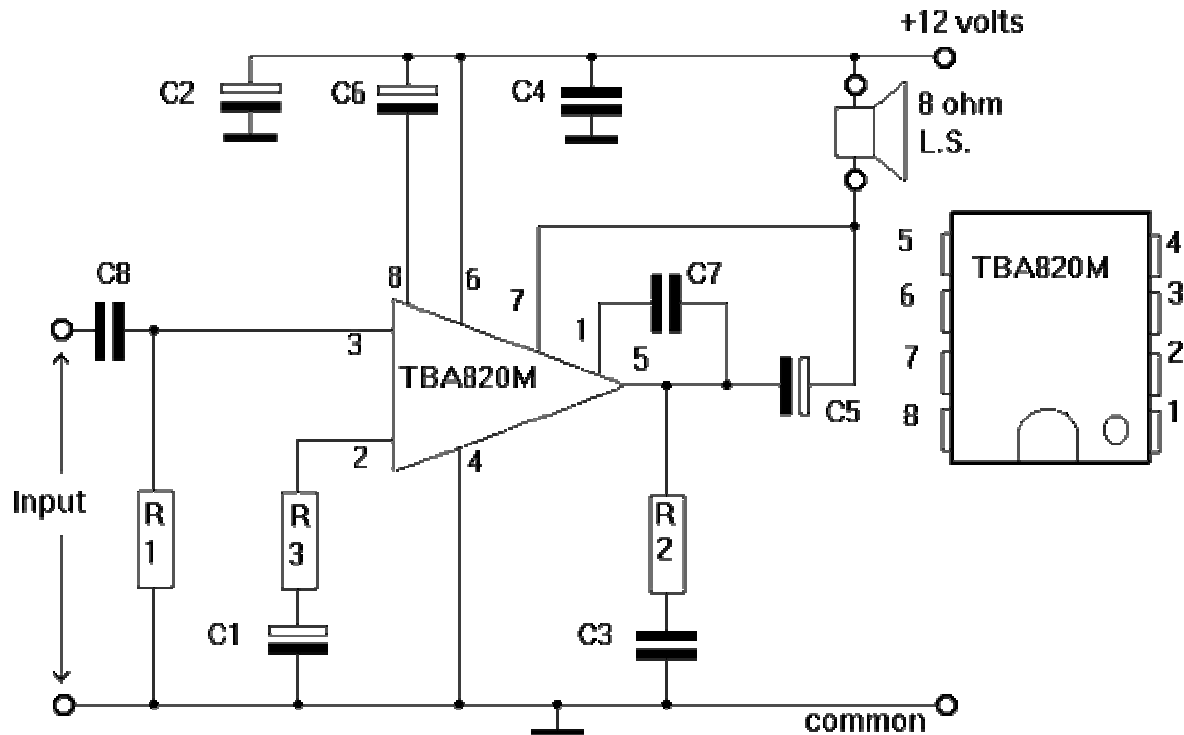


## Build a 2 Watt Amplifier

This can be used to boost the output from your Walkman, crystal set etc. You really need two of these for stereo. If you haven't built an electronic project before then see pages on soldering, using stripboard and the resistor colour code. Note that some of the capacitors are polarised, which means they must be inserted the correct way round. If you make a mistake during assembly then desolder and remove components carefully.



C1 = 100uF	C6 = 47uF	R3 = 120R
C2 = 100uF	C7 = 680pF	
C3 = 0.22uF	C8 = 0.47uF	
C4 = 0.1uF	R1 = 10k	
C5 = 220uF	R2 = 1 ohm	

Count the holes to find where to fit components.

