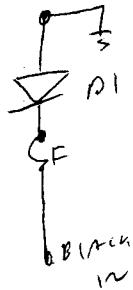


changed C4 to .47 uF/50V To
Speed up Flash Rate

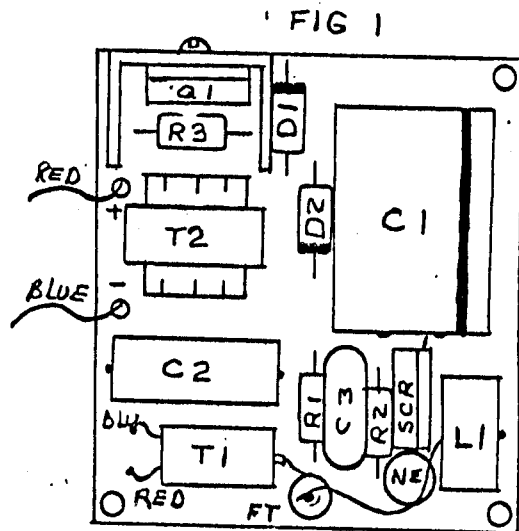
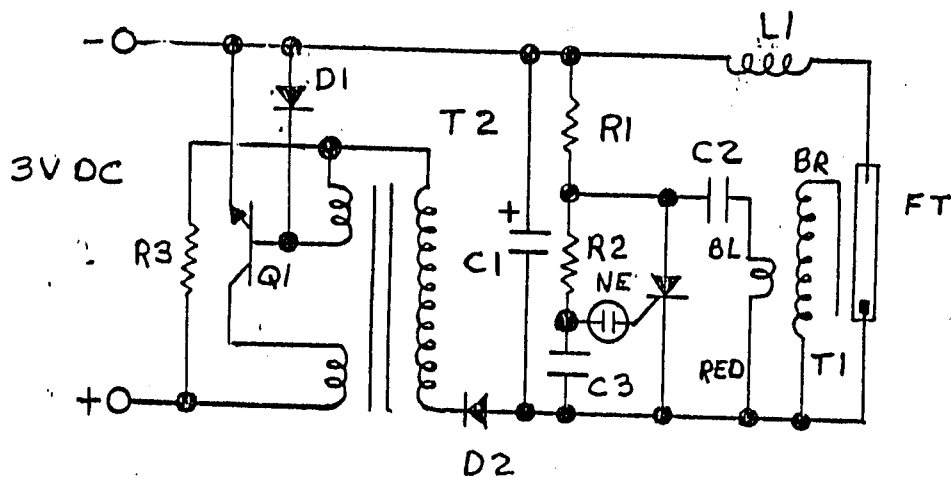
Target-Tech

Warn-A-Lite

Built from
Auto-Marine Electric
for "Marco Polo"
Nov. 1990



STROBE KIT



PARTS LIST

- | | |
|--------------------------|-------------------------|
| 1. L1 - Inductor | 10. D1 (1N4002) |
| 2. C1 - 170 uf @ 330V | D2 (1N4007) 1A Diodes |
| 3. C2 - .012 uf @ 270V | 11. SCR - 400V 3A SCR |
| 4. C3 - .1 uf @ 100V | 12. Q1 - NPN Transistor |
| 5. T1 - Trig Transformer | 13. NE - Neon Bulb |
| 6. T2 - Invert Trans | 14. FT - Flash Tube |
| 7. R1 - 1.1 Meg Resistor | 15. SW - Switch |
| 8. R2 - 3.9 Meg Resistor | 16. Printed Cir Brd |
| 9. R3 - 10K Resistor | 17. Heat Sink |

FIG 2

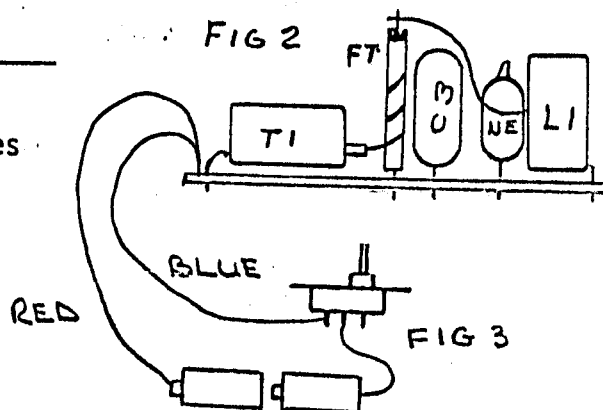


FIG 3

1. Install D1 (1N4002) & D2 (1N4007), note position of band.
2. Install R1, R2 & R3.
3. Install C1, C2, C3 & NE.
4. Install SCR marked (24NEC), note position of black body.
5. Install T2.
6. Use nut & bolt (not provided) to attach heat sink to Q1 marked (EP1831-A 7533) & install Q1, note position of black body.
7. Install Flash Tube (FT) with dark end up, Fig 2.
8. Cut the red & blue wires 1/2" from body and strip. Remove the insulation from all but 1/4" of the brown wire of T1, install blue and red wires per Fig 1 & wrap the stripped wire (brown) around the Flash Tube, being careful not to touch either end connection of Flash Tube.
9. Remove 1" of copper wire from the coil of L1 & straighten. Install as in Fig 2, solder long wire to the end of Flash Tube.
10. Use the remaining pieces of red & blue wires for battery hook-up, install as per Fig 1.
11. Add switch in series with positive lead, use either C or D size batteries, Fig 3.